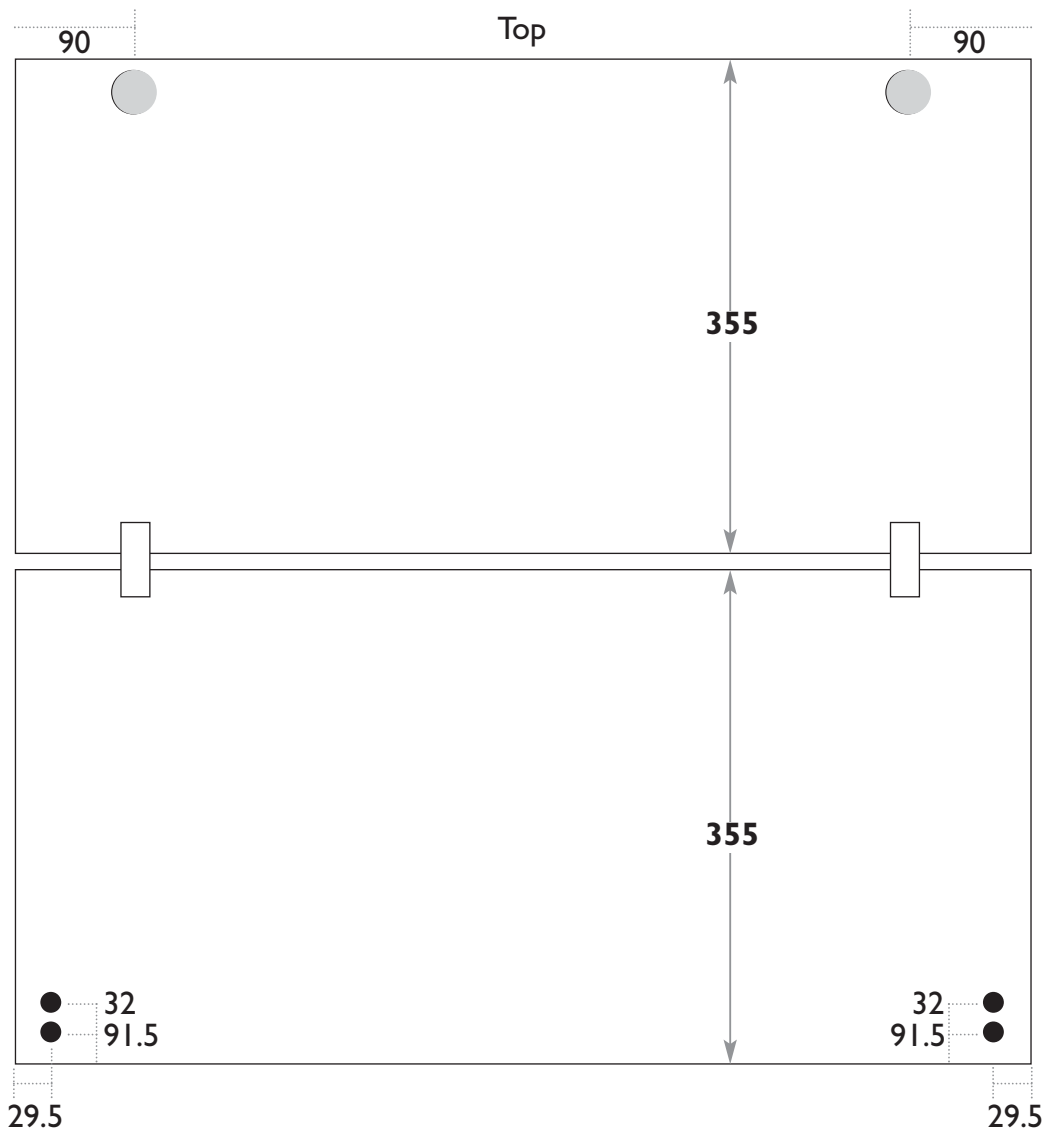


Aztec Bi-Fold Drilling Guide

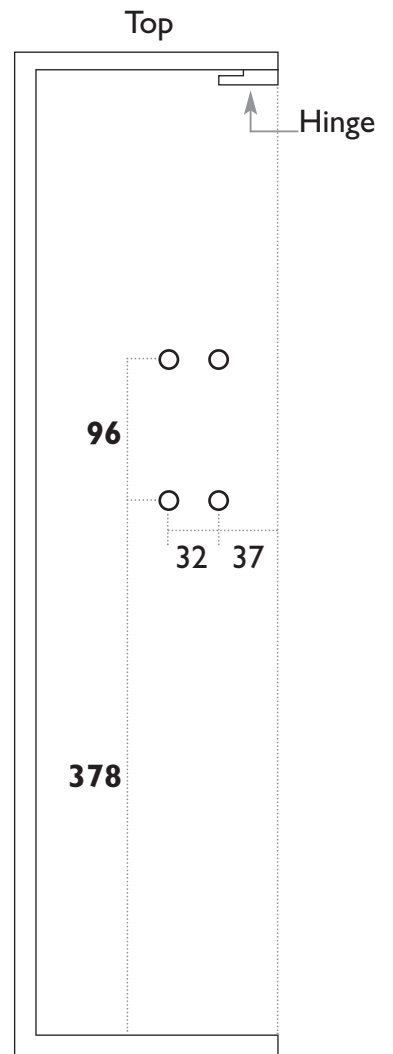


Bi-Fold Doors



Bi-Fold Carcase

View of right carcase inner side (left side symmetrical)



Drilled Holes

○ Ø 5mm diam.

NB: Only refers to drilled holes of carcase